





DESCRIPTION

The Less System is a design that marks an evolution in the concept of light architecture. A combination of plain luminous rods, or with satin glass spherical diffusers, defines compositions of up to five elements, which may be arranged horizontally or vertically. Light emanates from different sources, reflecting off structural metals such as burnished natural brass or polished or matte black nickel.

PRODUCTS DETAILS

FUNCTION	SUSPENSION
LOCATION	INTERIOR
LIGHT EMISSION	DIFFUSED LIGHT
LIGHT SOURCE	1 × MAX 5W G9 LED 350lm 2700°K
RATED VOLTAGE	110 - 120V / 220 - 240V
FREQUENCY	50 - 60Hz
SUPPLY	TERMINAL BLOCK
BALLAST	BALLAST EXCLUDED
WIRING CABLE LENGTH	250 cm (98"4)
STEEL CABLE LENGTH	250 cm (98"4)

DALI or TRIAC dimming kit available upon request

CERTIFICATION



MATERIALS

STRUCTURE

M03	BURNISHED NATURAL BRASS
M04	POLISHED BLACK NICKEL
M07	MATTE BLACK NICKEL

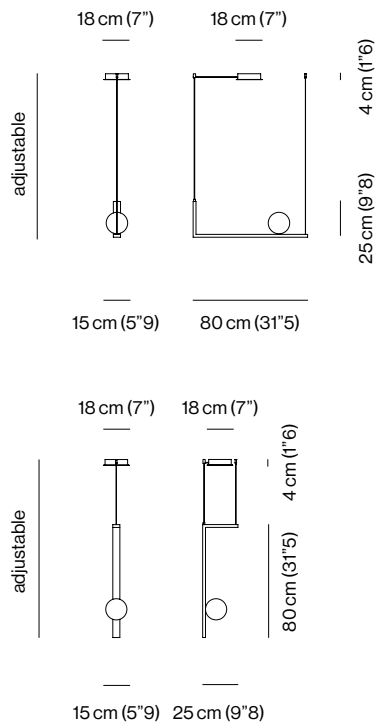
GLASS

S	WHITE SATIN
----------	-------------

PACKAGE

QTY	DIMENSIONS	NET WEIGHT	GROSS WEIGHT	TOTAL VOL.
1 × BOX	97 × 74 × H 30 cm (38"2 × 29"1 × H 11"8)	6 kg	8 kg	0,22 m ³

DIMENSIONS





DESCRIPTION The Less System is a design that marks an evolution in the concept of light architecture. A combination of plain luminous rods, or with satin glass spherical diffusers, defines compositions of up to five elements, which may be arranged horizontally or vertically. Light emanates from different sources, reflecting off structural metals such as burnished natural brass or polished or matte black nickel.

PRODUCTS DETAILS	FUNCTION	SUSPENSION
	LOCATION	INTERIOR
	LIGHT EMISSION	DIFFUSED LIGHT
	LIGHT SOURCE	STRIP LED 17,3W/m 2700°K 2100lm/m CRI 80+ 24Vdc TOT. = 12W 1470lm
	ENERGY EFFICIENCY	F
	RATED VOLTAGE	110 - 120V / 220 - 240V
	FREQUENCY	50 - 60Hz
	SUPPLY	TERMINAL BLOCK
	BALLAST	BALLAST INCLUDED
	WIRING CABLE LENGTH	250 cm (98"4)
	STEEL CABLE LENGTH	250 cm (98"4)

DALI or TRIAC dimming kit available upon request

CERTIFICATION



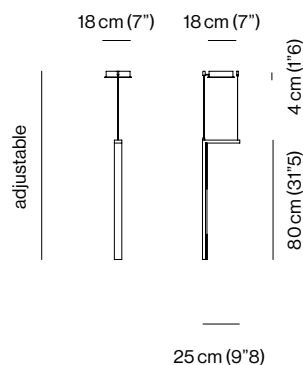
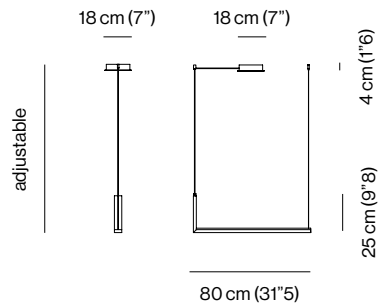
MATERIALS

STRUCTURE	
M03	BURNISHED NATURAL BRASS
M04	POLISHED BLACK NICKEL
M07	MATTE BLACK NICKEL

GLASS	
S	WHITE SATIN

PACKAGE	QTY	DIMENSIONS	NET WEIGHT	GROSS WEIGHT	TOTAL VOL.
1 x BOX	1 x BOX	97 x 74 x H30 cm (38"2 x 29"1 x H 11"8)	6 kg	8 kg	0,22 m ³

DIMENSIONS





DESCRIPTION The Less System is a design that marks an evolution in the concept of light architecture. A combination of plain luminous rods, or with satin glass spherical diffusers, defines compositions of up to five elements, which may be arranged horizontally or vertically. Light emanates from different sources, reflecting off structural metals such as burnished natural brass or polished or matte black nickel.

PRODUCTS DETAILS	FUNCTION	SUSPENSION
	LOCATION	INTERIOR
	LIGHT EMISSION	DIFFUSED LIGHT
	LIGHT SOURCE	2 × MAX 5W G9 LED 350lm 2700°K
	RATED VOLTAGE	110 - 120V / 220 - 240V
	FREQUENCY	50 - 60Hz
	SUPPLY	TERMINAL BLOCK
	BALLAST	BALLAST EXCLUDED
	WIRING CABLE LENGTH	250 cm (98"4)
	STEEL CABLE LENGTH	250 cm (98"4)

DALI or TRIAC dimming kit available upon request

CERTIFICATION



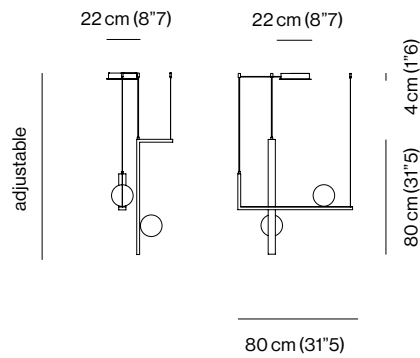
MATERIALS

STRUCTURE	
M03	BURNISHED NATURAL BRASS
M04	POLISHED BLACK NICKEL
M07	MATTE BLACK NICKEL
GLASS	
S	WHITE SATIN

PACKAGE

QTY	DIMENSIONS	NET WEIGHT	GROSS WEIGHT	TOTAL VOL.
1 × BOX	97 × 74 × H 30 cm (38"2 × 29"1 × H 11"8)	10 kg	12 kg	0,22 m ³

DIMENSIONS





DESCRIPTION

The Less System is a design that marks an evolution in the concept of light architecture. A combination of plain luminous rods, or with satin glass spherical diffusers, defines compositions of up to five elements, which may be arranged horizontally or vertically. Light emanates from different sources, reflecting off structural metals such as burnished natural brass or polished or matte black nickel.

PRODUCTS DETAILS

FUNCTION	SUSPENSION
LOCATION	INTERIOR
LIGHT EMISSION	DIFFUSED LIGHT
LIGHT SOURCE	STRIP LED 17,3W/m 2700°K 2100lm/m CRI 80+ 24Vdc TOT. = 12W 1470lm + 1 x MAX 5W G9 LED 350lm 2700°K
ENERGY EFFICIENCY	F
RATED VOLTAGE	110 - 120V / 220 - 240V
FREQUENCY	50 - 60Hz
SUPPLY	TERMINAL BLOCK
BALLAST	BALLAST INCLUDED
WIRING CABLE LENGTH	250 cm (98"4)
STEEL CABLE LENGTH	250 cm (98"4)

DALI or TRIAC dimming kit available upon request

CERTIFICATION



MATERIALS

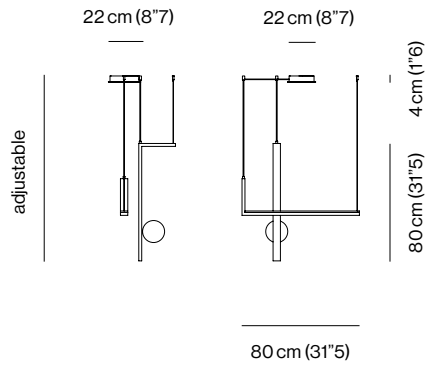
STRUCTURE	
M03	BURNISHED NATURAL BRASS
M04	POLISHED BLACK NICKEL
M07	MATTE BLACK NICKEL

GLASS	
S	WHITE SATIN

PACKAGE

QTY	DIMENSIONS	NET WEIGHT	GROSS WEIGHT	TOTAL VOL.
1 x BOX	97 x 74 x H 30 cm (38"2 x 29"1 x H 11"8)	10 kg	12 kg	0,22 m ³

DIMENSIONS





DESCRIPTION The Less System is a design that marks an evolution in the concept of light architecture. A combination of plain luminous rods, or with satin glass spherical diffusers, defines compositions of up to five elements, which may be arranged horizontally or vertically. Light emanates from different sources, reflecting off structural metals such as burnished natural brass or polished or matte black nickel.

PRODUCTS DETAILS	FUNCTION	SUSPENSION
	LOCATION	INTERIOR
	LIGHT EMISSION	DIFFUSED LIGHT
	LIGHT SOURCE	STRIP LED 17,3W/m 2700°K 2100lm/m CRI 80+ 24Vdc TOT. = 24W 2940lm
	ENERGY EFFICIENCY	F
	RATED VOLTAGE	110 - 120V / 220 - 240V
	FREQUENCY	50 - 60Hz
	SUPPLY	TERMINAL BLOCK
	BALLAST	BALLAST INCLUDED
	WIRING CABLE LENGTH	250 cm (98"4)
	STEEL CABLE LENGTH	250 cm (98"4)

DALI or TRIAC dimming kit available upon request

CERTIFICATION



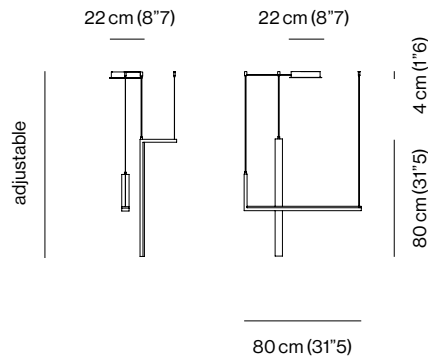
MATERIALS

STRUCTURE	
M03	BURNISHED NATURAL BRASS
M04	POLISHED BLACK NICKEL
M07	MATTE BLACK NICKEL

GLASS	
S	WHITE SATIN

PACKAGE	QTY	DIMENSIONS	NET WEIGHT	GROSS WEIGHT	TOTAL VOL.
	1 x BOX	97 x 74 x H 30 cm (38"2 x 29"1 x H 11"8)	10 kg	12 kg	0,22 m ³

DIMENSIONS





DESCRIPTION The Less System is a design that marks an evolution in the concept of light architecture. A combination of plain luminous rods, or with satin glass spherical diffusers, defines compositions of up to five elements, which may be arranged horizontally or vertically. Light emanates from different sources, reflecting off structural metals such as burnished natural brass or polished or matte black nickel.

PRODUCTS DETAILS	FUNCTION	SUSPENSION
	LOCATION	INTERIOR
	LIGHT EMISSION	DIFFUSED LIGHT
	LIGHT SOURCE	STRIP LED 17,3W/m 2700°K 2100lm/m CRI 80+ 24Vdc TOT. = 12W 1470lm + 2 x MAX 5W G9 LED 350lm 2700°K
	ENERGY EFFICIENCY	F
	RATED VOLTAGE	110 - 120V / 220 - 240V
	FREQUENCY	50 - 60Hz
	SUPPLY	TERMINAL BLOCK
	BALLAST	BALLAST INCLUDED
	WIRING CABLE LENGTH	250 cm (98"4)
	STEEL CABLE LENGTH	250 cm (98"4)

DALI or TRIAC dimming kit available upon request

CERTIFICATION

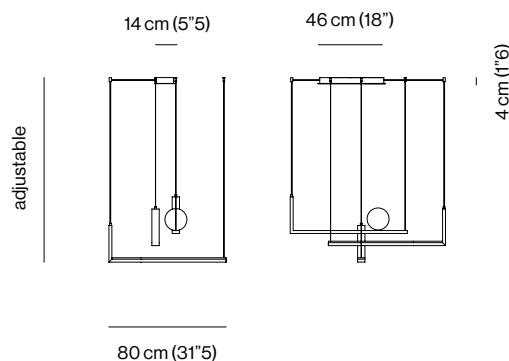


MATERIALS

STRUCTURE	
M03	BURNISHED NATURAL BRASS
M04	POLISHED BLACK NICKEL
M07	MATTE BLACK NICKEL
GLASS	
S	WHITE SATIN

PACKAGE	QTY	DIMENSIONS	NET WEIGHT	GROSS WEIGHT	TOTAL VOL.
	1 x BOX	98 x 86 x H 40 cm (38"6 x 33"8 x H 15"7)	17 kg	22 kg	0,34 m ³

DIMENSIONS





DESCRIPTION

The Less System is a design that marks an evolution in the concept of light architecture. A combination of plain luminous rods, or with satin glass spherical diffusers, defines compositions of up to five elements, which may be arranged horizontally or vertically. Light emanates from different sources, reflecting off structural metals such as burnished natural brass or polished or matte black nickel.

PRODUCTS DETAILS

FUNCTION	SUSPENSION
LOCATION	INTERIOR
LIGHT EMISSION	DIFFUSED LIGHT
LIGHT SOURCE	STRIP LED 17,3W/m 2700°K 2100lm/m CRI 80+ 24Vdc TOT. = 3 × 12W 1470lm + 2 × MAX 5W G9 LED 350lm 2700°K
ENERGY EFFICIENCY	F
RATED VOLTAGE	110 - 120V / 220 - 240V
FREQUENCY	50 - 60Hz
SUPPLY	TERMINAL BLOCK
BALLAST	BALLAST INCLUDED
WIRING CABLE LENGTH	250 cm (98"4)
STEEL CABLE LENGTH	250 cm (98"4)

DALI or TRIAC dimming kit available upon request

CERTIFICATION



MATERIALS

STRUCTURE	
M03	BURNISHED NATURAL BRASS
M04	POLISHED BLACK NICKEL
M07	MATTE BLACK NICKEL

GLASS	
S	WHITE SATIN

PACKAGE

QTY	DIMENSIONS	NET WEIGHT	GROSS WEIGHT	TOTAL VOL.
1 × BOX	98 × 86 × H 40 cm (38"6 × 33"8 × H 15"7)	20 kg	25 kg	0,34 m ³

DIMENSIONS

