

# FLOS

F3157059 Brass

## IC Lights C/W1 Double

Designed by Michael Anastassiades, 2020

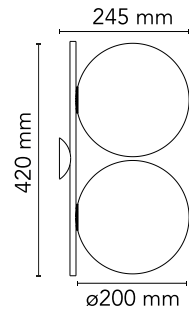


Halogen - 2 x 60W - 2700K - CRI> 95

Wall-ceiling lamp providing diffused light. Frame in brass, brushed and transparent varnished or chrome steel. Blown glass opal diffuser.

Are you a professional and your project needs consulting and support?

[BOOK AN APPOINTMENT](#)




### Main specifications

EAN	8059607000069
Mounting	Ceiling and wall surface
Environments	Indoor dry location
Light Source Type	Bulb
Lamp category	Halogen
Lamp holders	E14
Iicos	HSGS
Number of heads	2
Power (W)	60

### Physical

Colour	Brass
Length (mm)	245
Net weight (kg)	2.3
Package volume (m3)	0.06
IP internal	20

### Download

[Mounting instructions](#)  PDF

[Spare Parts](#)  PDF


### Photometric Files

[LDT / IES](#)  LDT

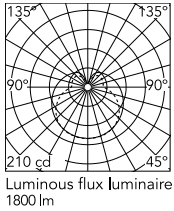
### Technical Drawings

[Bim](#)  ZIP



	IK	IP
	07	20

## Schematic light drawing



### Photometric

Lighting type	Total
Light distribution	Symmetric
CCT (K)	2700
CRI>	95

### Electrical

Insulation class	I
Frequency (Hz)	50/60
Main voltage (Vac)	220-250
Dimmable	Yes
Dimming interface	Remote Dimmable (Dimmer Not Included)
Batteries inside	No

## Bulbs



NOT INCLUDED

RF32290

LED Lamp E14 8W 2700K T28



NOT INCLUDED

RF32291

LED Lamp E14 8W 3000K T28



NOT INCLUDED

RF32767

LED Lamp 9W E14 220-240V  
2700K T28

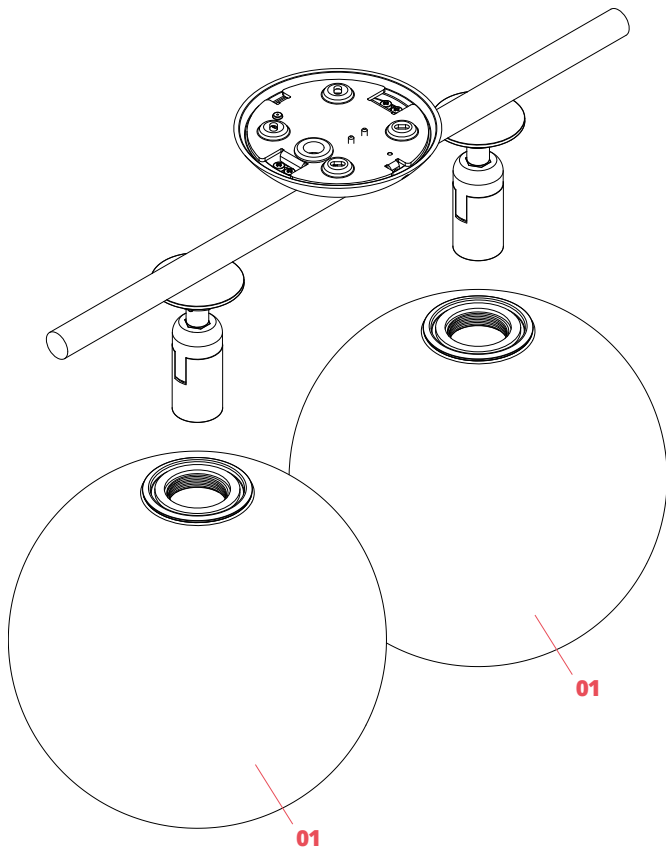


NOT INCLUDED

RF32768

LED Lamp 9W E14 220-240V  
3000K T28

## Spare Parts



- 01. IC Lights 1 diffuser for brass version F3136059
- 02. Kit with screws and allen key RF3160100

**DOWNLOAD**



F3136059

IC Lights 1 diffuser for brass  
version



RF3160100

Kit with screws and allen key