


FLOS

 F6380039 Green

Snoopy

Designed by Achille and Pier Giacomo Castiglioni, 1967



Halogen - 150W

Table lamp giving direct light with enamelled metal reflector and white Carrara's marble base. It was designed by Achille e Pier Giacomo Castiglioni in 1967.

Are you a professional and your project needs consulting and support?

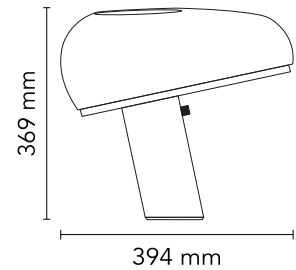
[BOOK AN APPOINTMENT](#)

Main specifications

EAN	8059607006382
Mounting	Table
Environments	Indoor dry location
Light Source Type	Bulb
Lamp category	Halogen
Lamp holders	E27
Ilcos	HSGS
Number of heads	1
Power (W)	150

Physical

Colour	Green
Length (mm)	394
Net weight (kg)	7.99
Package volume (m3)	0.1
IP internal	20



Download

[Mounting instructions](#)  PDF

[Spare Parts](#)  PDF

Photometric Files

[LDT / IES](#)  LDT

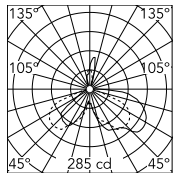
Technical Drawings

[2D](#)  ZIP

[3D](#)  ZIP



Schematic light drawing



Luminous flux Luminaire
2400 lm

Photometric

Lighting type	Indirect, Direct
Light distribution	Asymmetric

Electrical

Insulation class	II
Frequency (Hz)	50/60
Main voltage (Vac)	220-240
LED voltage Vf (Vdc)	null
Dimmable	Yes
Dimming interface	Dimmer Integrated
Plug type	Type C
Batteries inside	No

Bulbs



NOT INCLUDED

RF25317

LED Opal Lamp E27 8W 3000K
A60 Dimmable

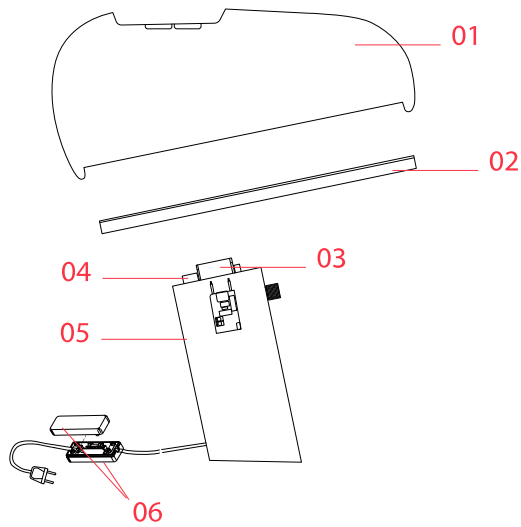


NOT INCLUDED

RF25323

LED Opal Lamp E27 8W 2700K
A60 Dimmable

Spare Parts



- | | | |
|-----|-----------------------------------|---------|
| 01. | Green reflector | RF80967 |
| 02. | Snoopy glass diffuser | RF84656 |
| 03. | E27 lamp holder | RF11912 |
| 04. | Ring nut | RF11919 |
| 05. | Electronic touch dimmer | RF26254 |
| 06. | Electrical assembly with fuse box | RF12478 |

DOWNLOAD



RF80967

Green reflector



RF84656

Snoopy glass diffuser



RF11912

E27 lamp holder



RF11919

Ring nut



RF26254

Electronic touch dimmer



RF12478

Electrical assembly with fuse box